

Technical Data Sheet

Alnico Rotor Magnets

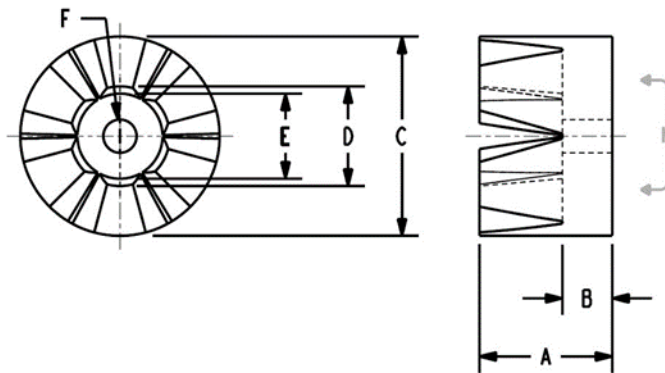
Alnico Rotor Magnets have multiple poles that alternate in polarity. The design makes them an excellent choice for turbine generators or motors. The center-hole allows for easy installation onto shafts.

Product Specifications

Shape:	Round
Tolerance:	.005
Material:	AlNiCo
Plating:	None
Max. Operating Temperature:	1000°
Br. Max:	12700
BH Max:	5.5



Part No.	No. Poles	A	B	C	D	E	F	Wt. (lbs)	Holding Force (lbs)	Price
SP942	8	1.250	.375	2.000	1.000	.875	.500	.702	75	\$85.34



- All Measurements are in inches (unless otherwise noted)
- Direction of Magnetization (DOM) is through the thickness unless noted
- Unless otherwise specified, magnets will be furnished in magnetized condition
- Holding forces are approximate. These are average values obtained under laboratory conditions. Size, shape, and material of the test piece may affect actual pull forces