

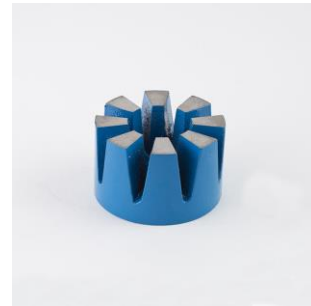
## Technical Data Sheet

### Alnico Rotor Magnets

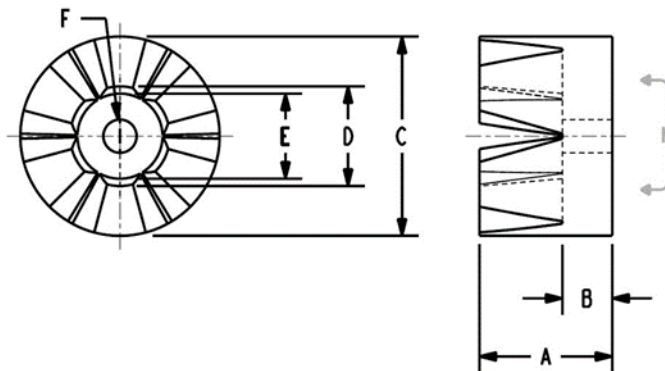
Alnico Rotor Magnets have multiple poles that alternate in polarity. The design makes them an excellent choice for turbine generators or motors. The center-hole allows for easy installation onto shafts.

#### Product Specifications

<b>Shape:</b>	Round
<b>Tolerance:</b>	.005
<b>Material:</b>	AlNiCo
<b>Plating:</b>	None
<b>Max. Operating Temperature:</b>	1000°
<b>Br. Max:</b>	12700
<b>BH Max:</b>	5.5



Part No.	No. Poles	A	B	C	D	E	F	Wt. (lbs)	Holding Force (lbs)	Price
SP940	4	.750	.250	1.00	.500	.500	.250	.101	18	\$17.57



- All Measurements are in inches (unless otherwise noted)
- Direction of Magnetization (DOM) is through the thickness unless noted
- Unless otherwise specified, magnets will be furnished in magnetized condition
- Holding forces are approximate. These are average values obtained under laboratory conditions. Size, shape, and material of the test piece may affect actual pull forces