

**Technical Data Sheet**

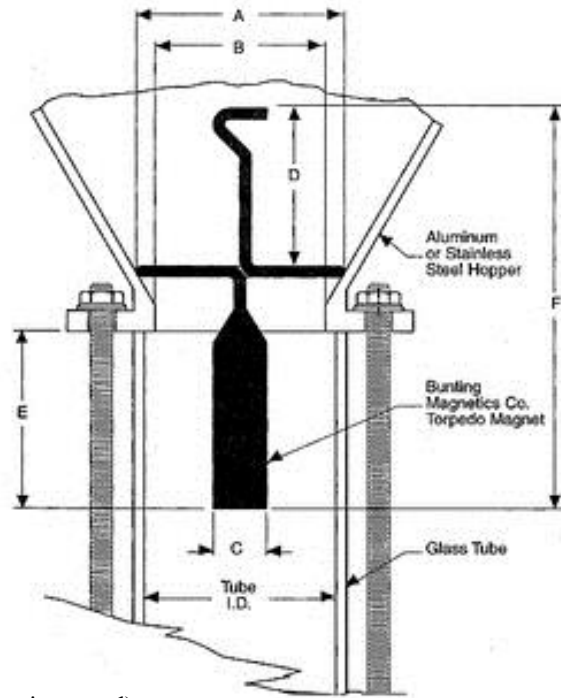
**Sight Glass Magnets**

Sight Glass Magnets are designed for removal of fine and weakly magnetic ferrous contamination from material flows traveling to different processing machines. Offered in 4 sizes, they are equipped with rare earth magnet material to remove fine iron contaminants and reduce product wash-off. Magnets help prevent product defects, plugged valve gates, machine damage, and downtime.

**Product Specifications**

Shape: **Round**

Part No.	(A) Ring	(C) Diameter	Handle	Length	Price
SGM2	2.50	.625	1.875	4.75	\$74.00



- All Measurements are in inches (unless otherwise noted)
- Direction of Magnetization (DOM) is through the thickness unless noted
- Unless otherwise specified, magnets will be furnished in magnetized condition
- Holding forces are approximate. These are average values obtained under laboratory conditions. Size, shape, and material of the test piece may affect actual pull forces