

Technical Data Sheet

Ceramic Ring Magnets

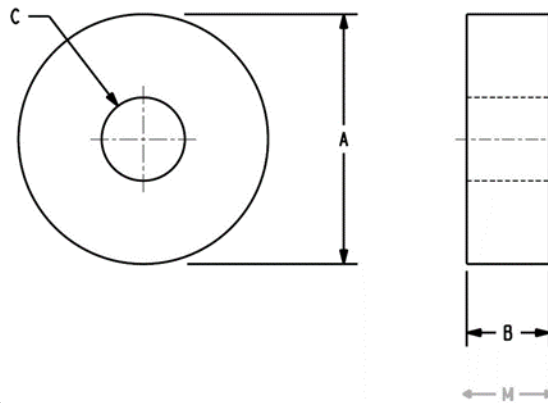
Ceramic Grades 5 & 8 have become some of the most widely specified magnetic materials. Low cost, light weight, a relatively high energy product, and good resistance to demagnetization account for the widespread use of Ceramic magnets. Common applications include; speaker magnets, DC brushless motors, outboard motors, DC permanent motors, lifting, holding, retrieving, and separating.

Product Specifications

Shape:	Ring
Tolerance:	.005
Material:	SrFe
Plating:	None
Max. Operating Temperature:	480°
Br. Max:	3850
BH Max:	8



Part No.	A	B	C	Type	Price
R2409	.750	.250	.271	8	\$0.83



- All Measurements are in inches (unless otherwise noted)
- Direction of Magnetization (DOM) is through the thickness unless noted
- Unless otherwise specified, magnets will be furnished in magnetized condition
- Holding forces are approximate. These are average values obtained under laboratory conditions. Size, shape, and material of the test piece may affect actual pull forces