



GLOBAL. MAGNETIC. FORCE.™

### Technical Data Sheet

### Bonded Neodymium Disc Magnets

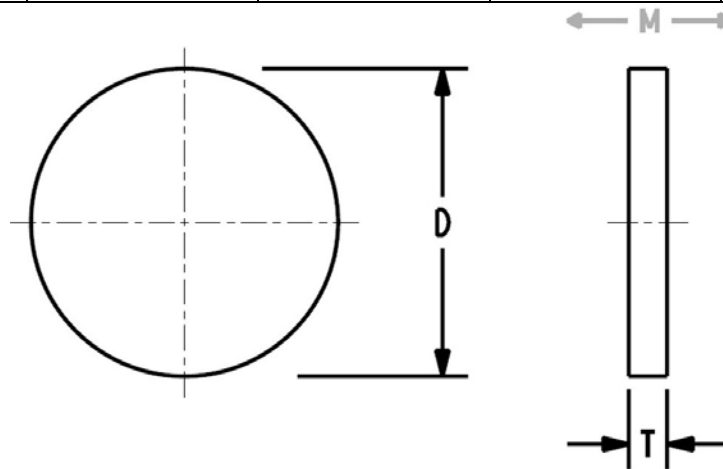
Neodymium magnets are part of the Rare Earth magnet family and are the most powerful permanent magnets in the world. They are referred to as NdFeB magnets, or NIB, because they are composed of Neodymium (Nd), Iron (Fe) and Boron (B).

#### Product Specifications

<b>Shape:</b>	<b>Disc</b>
<b>Tolerance:</b>	<b>.005</b>
<b>Material:</b>	<b>NdFeB</b>
<b>Max. Operating Temperature:</b>	<b>302°</b>
<b>Br. Max:</b>	<b>6800</b>
<b>BH Max:</b>	<b>10 MGOe</b>



Part No.	Diameter	Thickness	Holding Force(lbs)	Price
NB003-CM	0.078	0.194	0.3	\$0.54



- All Measurements are in inches (unless otherwise noted)
- Direction of Magnetization (DOM) is through the thickness unless noted
- Unless otherwise specified, magnets will be furnished in magnetized condition
- Holding forces are approximate. These are average values obtained under laboratory conditions. Size, shape, and material of the test piece may affect actual pull forces

