



GLOBAL. MAGNETIC. FORCE.™

### Technical Data Sheet

## Rectangle Ceramic Grate Magnets

Ceramic (F) Grate Magnets / Ceramic Hopper Magnets provide a properly configured, high-density magnetic field to trap and hold ferrous fines, fragments, and small metal objects as product flows through them. Stainless steel tubing and frames are welded into strong, integral units. The average Gauss on the surface of the cartridge is 1,975, with an average pull strength of 1.1lbs (with a 1/2" ferrous ball). They can be installed – or simply laid – inside hoppers, housings, and bins – and easily removed for cleaning. Grates are built for low-abrasion applications and should measure at least twice the size of your outlet opening, so as not to restrict product flow.

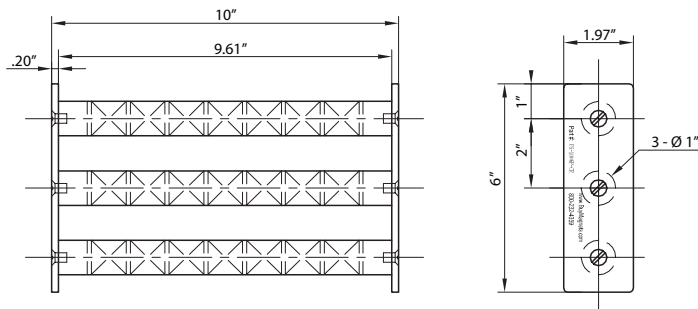
### Product Specifications

Shape:  
Average Pull Value (1/2" ball test):

Rectangle  
1.1 lb.



Part No.	DIMENSIONS	PULL STRENGTH LBS	GAUSS	PRICE
GS-1006P-CR	10 (L) X 6 (w)	1.1	1975	\$106.60



- All cartridges have a 1" diameter.
- All part numbers are 2" in height.
- Standard units feature 1" diameter cartridge encased in 316 Stainless steel and mounted on 2" centers.
- Used for Industrial Coffee Grinders and other applications
- All Measurements are in inches (unless otherwise noted)

