



GLOBAL. MAGNETIC. FORCE.™

Technical Data Sheet

Drawer Magnets

Bunting Drawer Magnets are the industry's best for superior contaminant capture in gravity free-fall applications. With over 100,000 Bunting drawer magnets in use today, these are the plastic industry's most trusted, most used and most popular magnet to ensure product purity. Staggered rows of temperature-compensated, high intensity neodymium magnets instantly stop metal, purifying your product, before it enters your expensive extrusion, injection, or blow molding equipment. Bunting offers the most complete line of drawer magnets here. However, if you need a standard drawer magnet, order today for immediate shipment.

Product Specifications

Shape:

Drawer

Material:

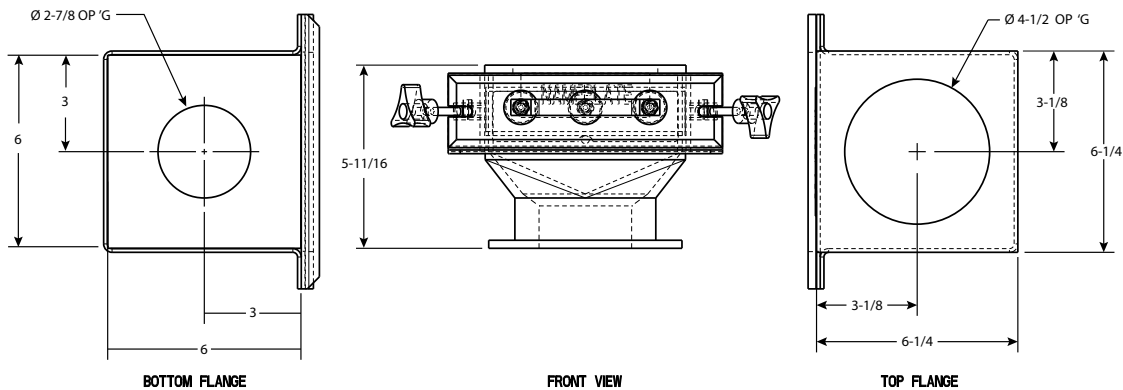
NdFeB

Max Operating Temperature:

300°



Part No.	Flange	Top Opening	Bottom Opening	Price
DR1600-D	6 x 6	4-1/4" dia.	2-7/8" dia.	\$556.00



- All Measurements are in inches (unless otherwise noted)
- Direction of Magnetization (DOM) is through the thickness unless noted
- Unless otherwise specified, magnets will be furnished in magnetized condition
- Holding forces are approximate. These are average values obtained under laboratory conditions. Size, shape, and material of the test piece may affect actual pull forces

