

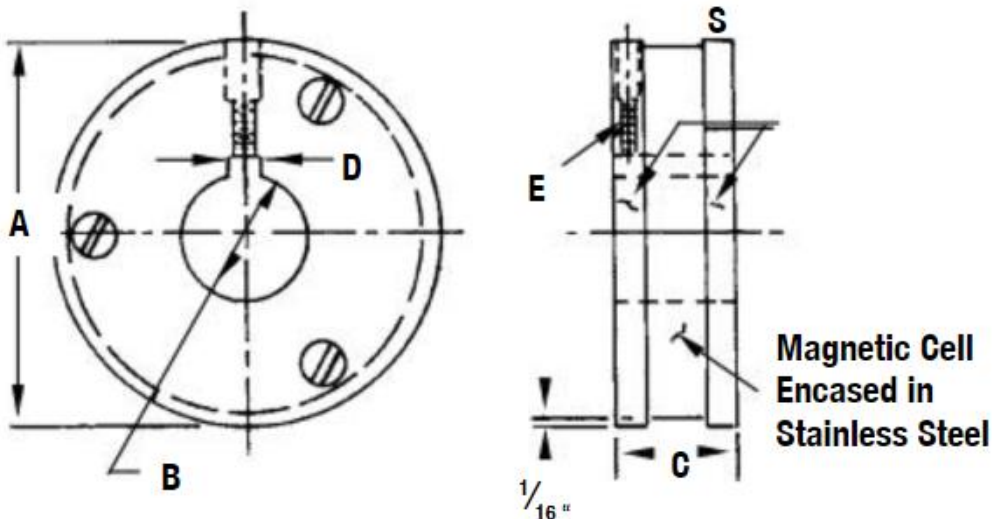
## Technical Data Sheet

### Magnetic Drive Rollers

Bunting® Magnetic Drive Rollers move and control sheet stock ranging from .010 inch thin plate sheets to over .250 inch thick. Mild steel pole pieces and stainless steel encased magnets result in a highly scratch- and nick-resistant drive surface. Rollers can be positioned on the shaft with like poles together to create a strong, compact magnetic field.

### Product Specifications

Part No.	"A" DIA.	"B" Bore	"C" Width	"D" Keyway	Set "E" Screw
BM102DR	2 5/8	3/4	1 1/2	3/16	#10-32



- All Measurements are in inches (unless otherwise noted)
- Direction of Magnetization (DOM) is through the thickness unless noted
- Unless otherwise specified, magnets will be furnished in magnetized condition
- Holding forces are approximate. These are average values obtained under laboratory conditions. Size, shape, and material of the test piece may affect actual pull forces

<b>Price:</b>	<b>\$122.00</b>
---------------	-----------------