



GLOBAL. MAGNETIC. FORCE.™

Technical Data Sheet

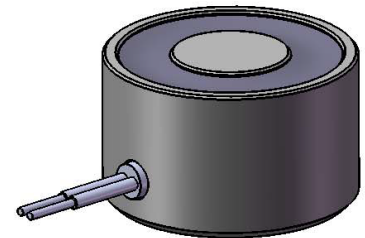
Round Electromagnets, Flat-Faced

BuyMagnets.com Round electromagnets handle ferrous materials safely and securely. Electromagnets provide an efficient and economical solution for handling and holding parts. Available in a number of shapes and sizes, our electromagnets require little maintenance and can be used in a variety of manual and automated applications. (Special sizes upon request).

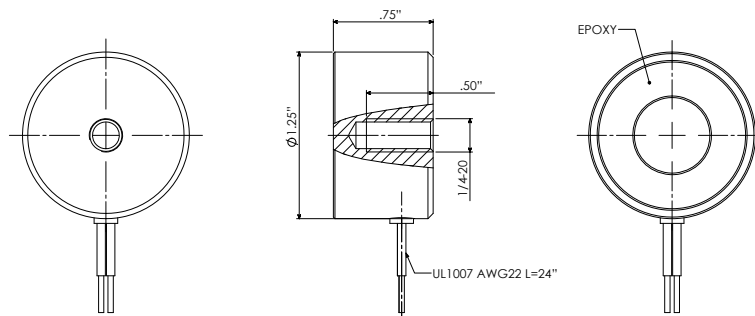
Product Specifications

Shape:

Round



Part No.	Diameter(A)	Height(B)	Thread(C)	Thread Depth(D)	DC Volts	Watts	Pull Force	Wt.	Price
BDE-1208-12	1.25	.75	1/4-20	.50	12	3.3	45	3.80oz	\$25.00



- All Measurements are in inches (unless otherwise noted)
- Direction of Magnetization (DOM) is through the thickness unless noted
- Unless otherwise specified, magnets will be furnished in magnetized condition
- Holding forces are approximate. These are average values obtained under laboratory conditions. Size, shape, and material of the test piece may affect actual pull forces



1150 Howard Street • Elk Grove Village, IL 60007 • 800-232-4359 or 847-593-2060