

Technical Data Sheet

Round Electromagnets, Flat-Faced

BuyMagnets.com Round electromagnets handle ferrous materials safely and securely. Electromagnets provide an efficient and economical solution for handling and holding parts. Available in a number of shapes and sizes, our electromagnets require little maintenance and can be used in a variety of manual and automated applications. (Special sizes upon request).

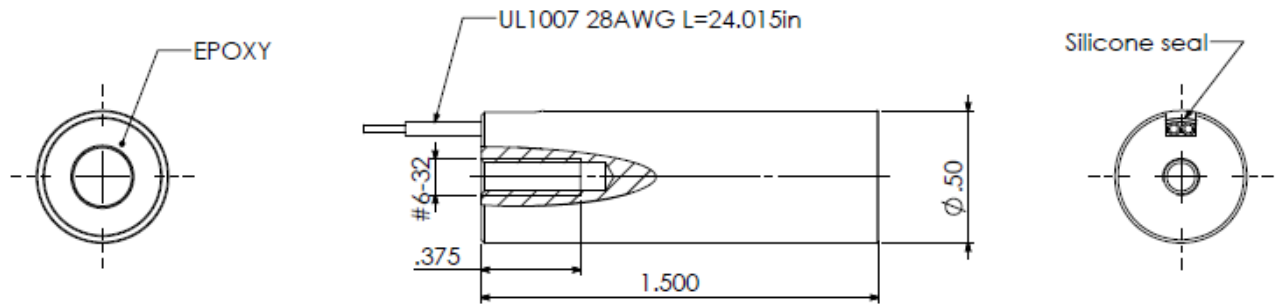
Product Specifications

Shape:

Round



Part No.	Diameter(A)	Height (B)	Thread (C)	Thread Depth (D)	DC Volts	Watts	Pull Force	Wt.	Price
BDE-0515-12	.50	1.500	6-32	.375	12	1.4	4	1.50 oz	\$21.00



- All Measurements are in inches (unless otherwise noted)
- Direction of Magnetization (DOM) is through the thickness unless noted
- Unless otherwise specified, magnets will be furnished in magnetized condition
- Holding forces are approximate. These are average values obtained under laboratory conditions. Size, shape, and material of the test piece may affect actual pull forces