



GLOBAL. MAGNETIC. FORCE.™

## Technical Data Sheet

### Alnico Magnets, BA Series

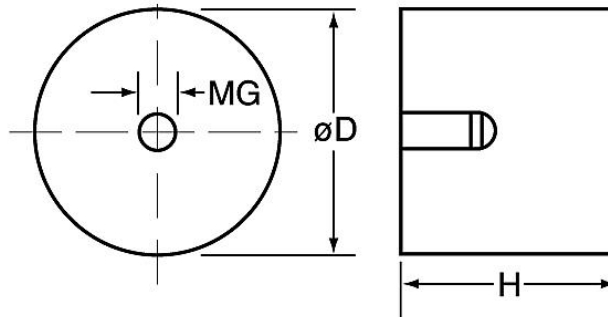
Utility-Grade assemblies for a wide variety of mass market applications. The BA Series magnets use Alnico magnets with a brass insulator and Zinc plated steel cup. These magnets can be used in high temperature applications up to 840°F. BA series magnets can be used with our available hooks.

#### Product Specifications

<b>Shape:</b>	<b>Assembly</b>
<b>Tolerance:</b>	<b>.005</b>
<b>Material:</b>	<b>AlNiCo</b>
<b>Plating:</b>	<b>Zn</b>
<b>Max. Operating Temperature:</b>	<b>840°</b>



Part No.	D	H	Tap Size (MG)	Holding Force (lbs)	Price
BA10	.39	.79	M4x7	1.6	\$0.74



- All Measurements are in inches (unless otherwise noted)
- Direction of Magnetization (DOM) is through the thickness unless noted
- Unless otherwise specified, magnets will be furnished in magnetized condition
- Holding forces are approximate. These are average values obtained under laboratory conditions. Size, shape, and material of the test piece may affect actual pull forces

